

PATENT NEWS FOR PLUMB BOB COLLECTORS

WR PATENT NEWS # 2007-12

Today some plumb bob supports to fix the plumb bob on shafts, pipes, in holes....:

US953131A1 FERRIS 1910 shaft-centring device for plumb bobs

US958736A1 FERRIS 1910 shaft-centring device (not for plumb bobs)

US1018863 BARRICKMAN 1912 shaft level

US1134125 HAFNER 1915 APPLIANCE FOR ALINING AND LEVELING SHAFTING

US1235279 BERNIER 1917 shaft aliner

US2016573 BECK 1935 plumb bob support

US5074509 VAN ORDEN 1991 plumb bob support

PATENT NEWS FOR PLUMB BOB COLLECTORS

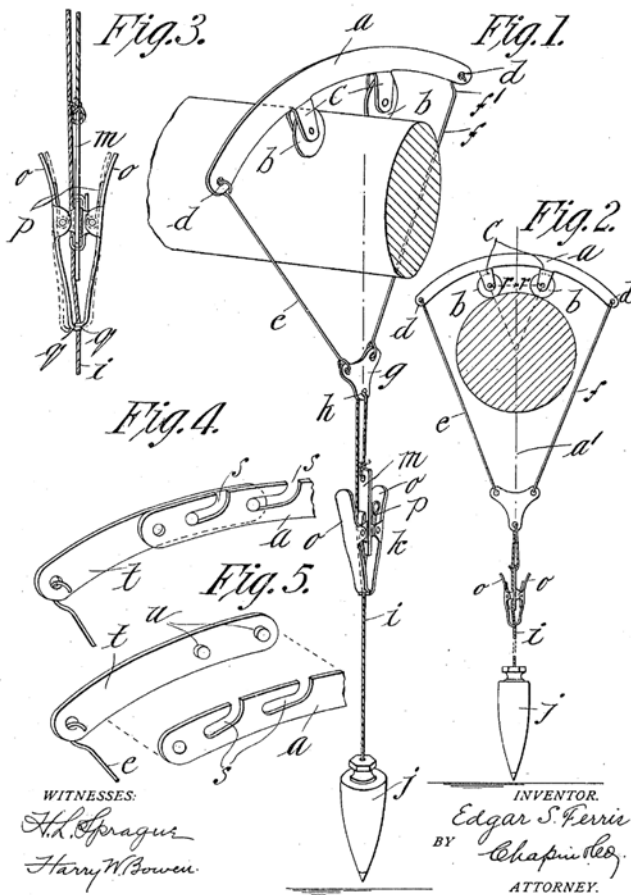
Recently I found on Ebay a
“1909 FERRIS SHAFT-CENTRING DEVICE plumb bob w/box”



The patent date is mysterious: I found for FERRIS a Application date Aug. 26, 1908 patent date May, 24.1910 and appl. Feb. 25, 1909 with patent date Mar. 29, 1910 for the following patents, but not Aug. 30, 1909.

Searching for the patent I found:

953,131. E. S. FERRIS. SHAFT CENTERING DEVICE. APPLICATION FILED FEB. 25, 1909. Patented Mar. 29, 1910.



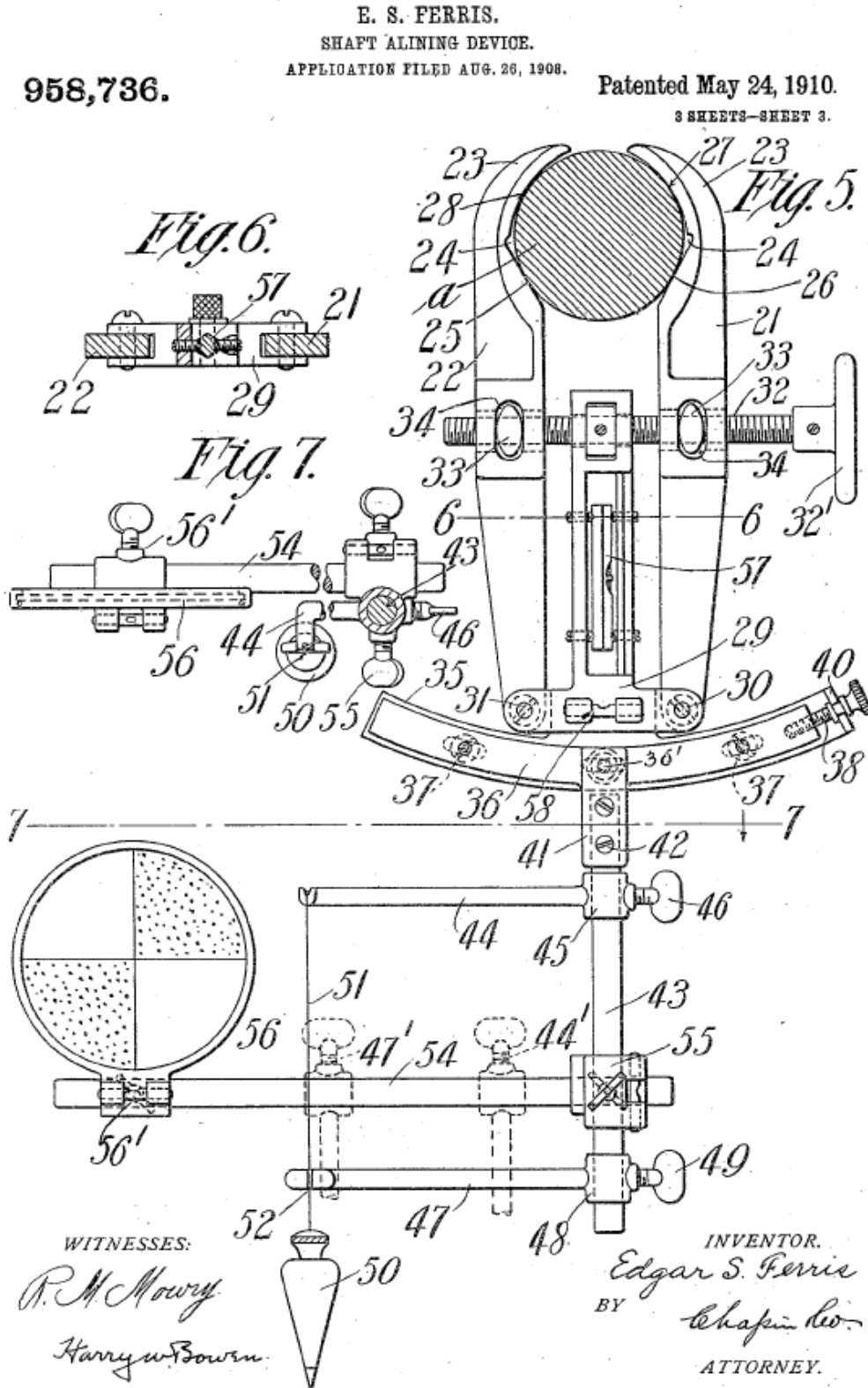
This invention relates to improvements in devices for instruments for quickly and accurately finding the center of a line of shafting.

The objects of the invention are: (1) to provide means whereby the center of a line of shafting may be quickly and accurately projected onto the floor below the shafting; (2) to produce a device that can be used and placed on the line of shafting at any longitudinal part of its length, without regard to the diameter of the shafting, or whether various lengths of the same are composed of different diameters; (3) to provide means whereby a plumb-bob can be readily adjusted near the floor or at any convenient height therefrom in the space between the floor and shafting.

In this class of devices as heretofore constructed, it has been the common practice to suspend a plumb-line, by means of a suitable weight, so as to just touch or graze the side of the shafting, and then mark on the floor a point indicating the curved side of the shafting; then caliper the shafting and measure back from the point on the floor a distance equal to the radius of the shaft. These several steps are very slow and more or less inaccurate since errors are very apt to arise in taking the various measurements, and the larger the number of measurements required to be taken, the greater the probability of mistakes in effecting the final result.

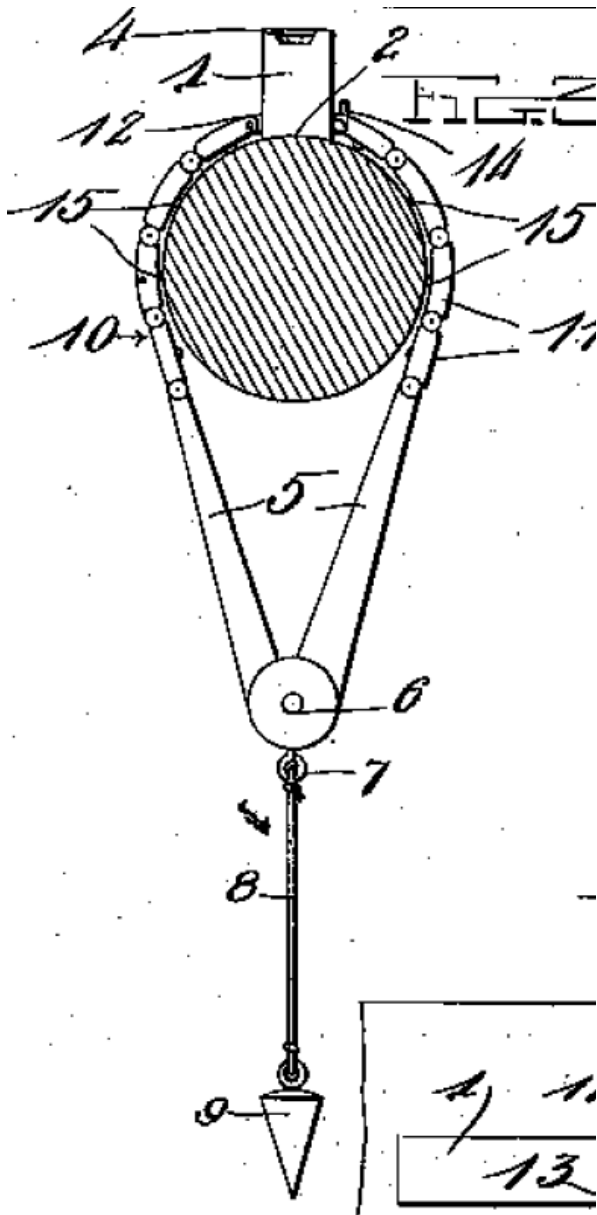
PATENT NEWS FOR PLUMB BOB COLLECTORS

Another patent from FERRIS using a plumb bob is:



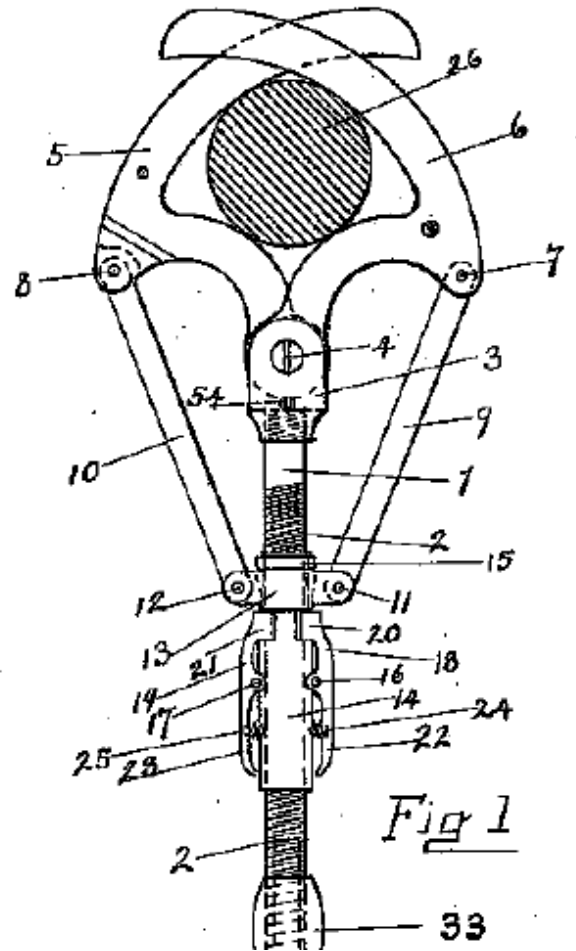
PATENT NEWS FOR PLUMB BOB COLLECTORS

US1018863 BARRICKMAN 1912
uses ball bearings:



And US1134125 HAFNER 1915
has a clipper:

1,134,125.

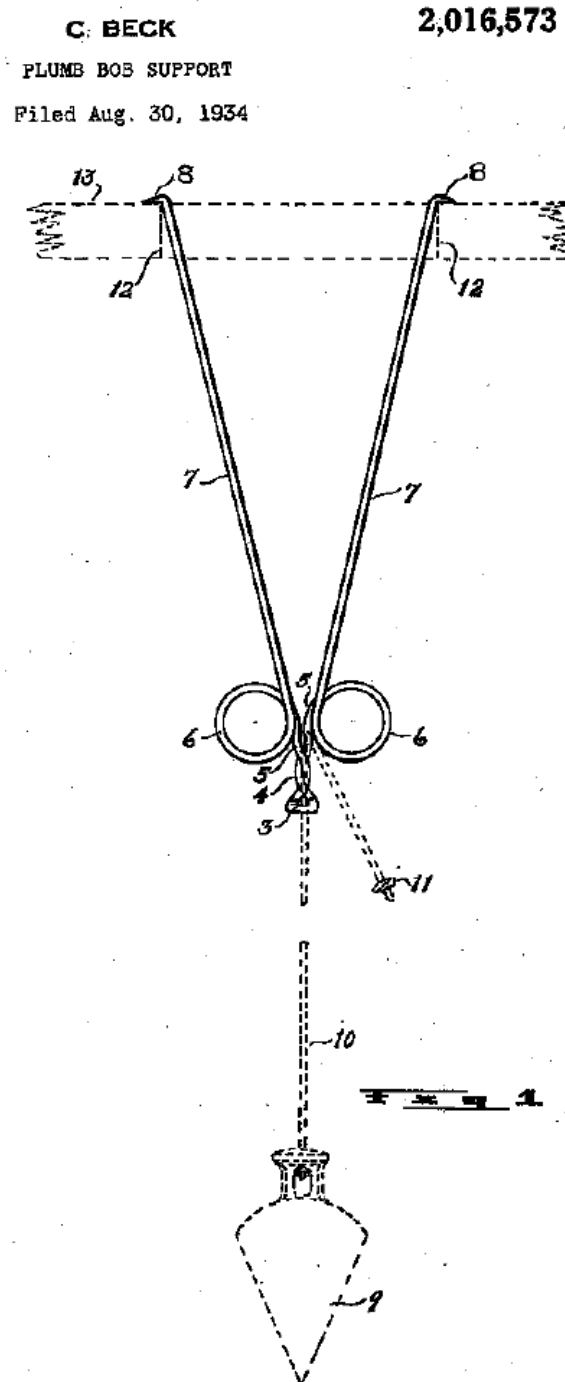
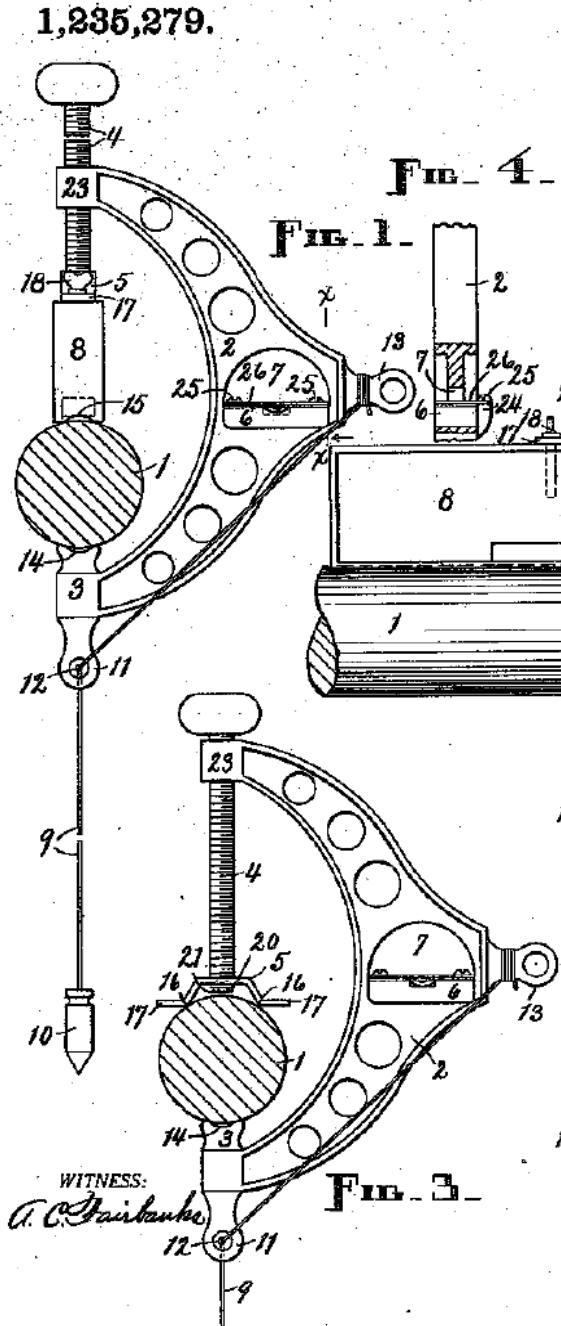


PATENT NEWS FOR PLUMB BOB COLLECTORS

US1235279 BERNIER 1917

shaft aliner has in my opinion some
problems with the vertical alinement:

US2016573 BECK 1935 plumb bob support
hangs his support into a hole in the ceiling:



PATENT NEWS FOR PLUMB BOB COLLECTORS

While US5074509 VAN ORDEN 1991 plumb bob support uses a combination plumb bob / level:

