

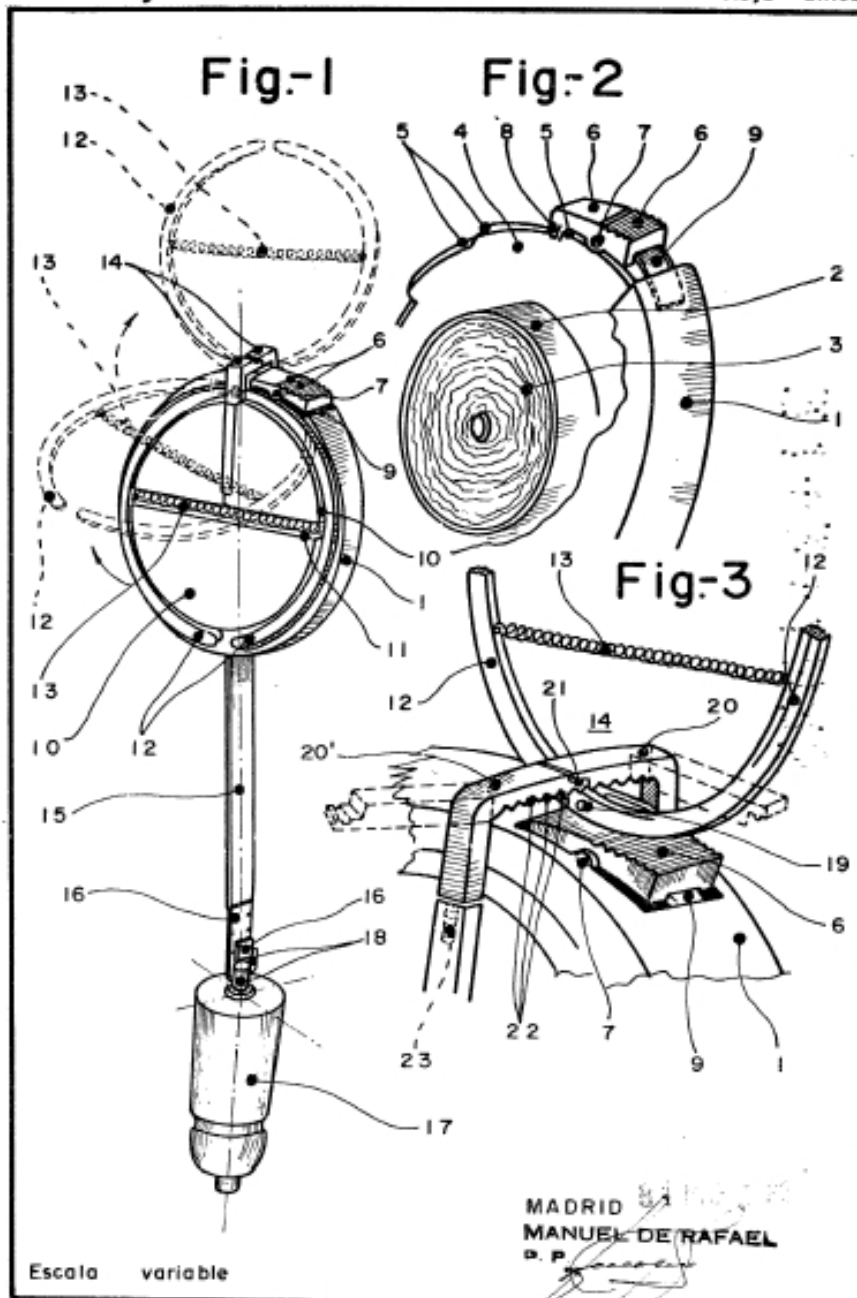
PATENT NEWS FOR PLUMB BOB COLLECTORS

WR PATENT NEWS # 2007-10

Today a very short patent news: I present for a POCKET PLUMB BOB

- the Spanish patent ES264279 1982

D.FELIX y D.JULIAN SANCHEZ GARCIA Hoja única



It is a little bit difficult to understand the drawing, but after some minutes it works. ☺

PATENT NEWS FOR PLUMB BOB COLLECTORS

Here is the translation by Noa Gonzales. I asked her, because I can't read Spanish. Thank you very much, Noa.

REGISTRO DE LA PROPIEDAD INDUSTRIAL

ESPAÑA

MODELO DE UTILIDAD

16 NOV. 1982

ES 264273 Y

FECHA DE PRESENTACION
31 MAR. 1982

23 PRIORIDADES	24 NUMERO	25 FECHA	26 PAIS
27 FECHA DE PUBLICIDAD	28 CLASIFICACION INTERNACIONAL G 01 C 15/10		
29 TITULO DE LA INVENCIÓN "PLOMADA AUTOMÁTICA REFLEGABLE".			

It says it is referred to a traditional plumb bob but **making it for pockets**, using the same idea that is used in an adjustable meter (those ones that the meter goes inside a case and you pull to measure so that it goes out, and then to go rolled into the case again you just push a button).

It says that unrolling and rolling back the line again is

uncomfortable, so to permit a quick use of this indispensable tool this model associates a traditional plumb bob with a device that permits the automatical rolling as it has a reel to roll that recovers (the line goes back inside) through a spring, and that the edges of the sides have like the shape of the teeth to fix the position through a blockade mechanism.

The line is made of nylon.

The outside part of the case of the reel has resources to hang the plumb bob and the mechanism with which the plumb bob is attached to the spring. On the other side has some mechanism to hang all.

Then it explains all numbers of the drawing.

Bye,
Noa

DID ANYONE SEE THIS ITEM??

Wolfgang